

**RG-AP630-L**

copyright © 2021



<http://www.ruijie.com.cn>

<http://www.ruijie.com.cn/fw/>

7\*24h

<http://ocs.ruijie.com.cn>

7\*24h

4008-111-000

<http://bbs.ruijie.com.cn/portal.php>

□ □

<http://www.ruijie.com.cn/special/fw/tool/xryf/>

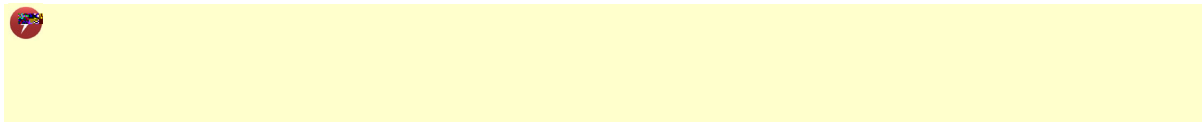
4008111000@ruijie.com.cn



APP



1.



/

2.

RG-AP630-L

	1dBm
	250mm × 170mm × 50mm
	1kg
	1 10/100/1000Base-T PoE
	1 Console
	PoE 802.3af/802.3at
	<12.95W
	-40°C 55°C
	-40°C 70°C
	5 95
	5 95

IP

### 1.3 RG-AP630-L

SYS			( )
		(3Hz)	AP
			capwap
		(3Hz)	uboot kernel
3		1	-70dBm
		2	-70dBm -50dBm
		3	-50dBm

RG-AP630-L

PoE

PoE	802.3af/802.3at
-----	-----------------

RG-AP630-L

--	--

## 2

### 2.1

---

RG-AP630-L

---

### 2.2

AP

500m



### 2.3

,

### 2.4

## 2.5

RG-AP630-L

### 2.5.1

RG-AP630-L

RG-AP630-L

### 2.5.2

RG-AP630-L

### 2.5.3

RG-AP630-L

RG-AP630-L

-40°C-55°C	5%-95%

### 2.5.4

(Ç m)	0.5	1	3	5
/	$1.4 \times 10^7$	$7 \times 10^5$	$2.4 \times 10^5$	$1.3 \times 10^5$

	mg/m <sup>3</sup>	mg/m <sup>3</sup>
SO <sub>2</sub>	0.2	1.5
H <sub>2</sub> S	0.006	0.03

NO <sub>2</sub>	0.04	0.15
NH <sub>3</sub>	0.05	0.15
Cl <sub>2</sub>	0.01	0.3

## 2.5.5

„ PoE 802.3af/802.3at PoE

---

RG-AP630-L

15W

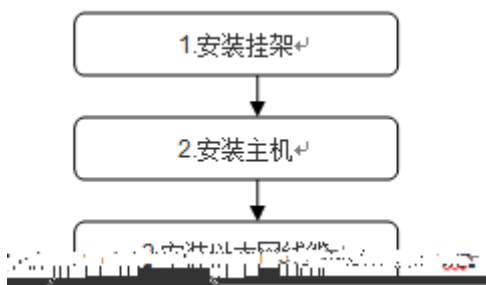
### 3

RG-AP630-L AP

---

---

#### 3.1



#### 3.2

RG-AP630-L

#### 3.3

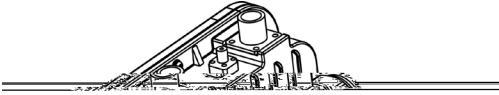
AP  
304

50mm-70mm,

2.5mm

AP





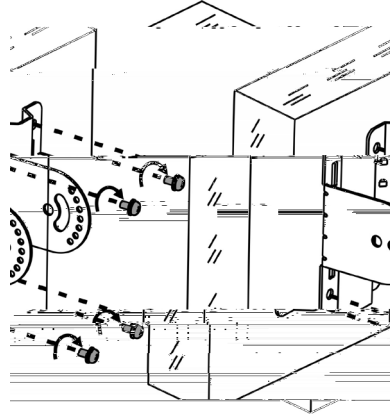
2                      2  
                            3-3

3-2



3-2                      4 M6

3-3

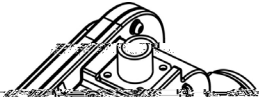


3                      4 M6

4                      AP630-L

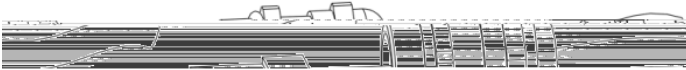
4 M6

3-4



### 3.4.3

PG      O      AP      LAN/PoE      PoE  
AP      A



---

 Console      9600      8      1      AP

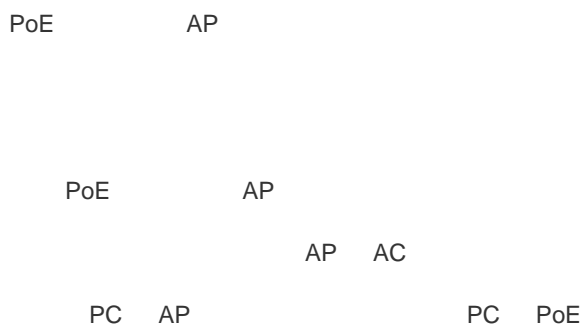
 PG      PG

---

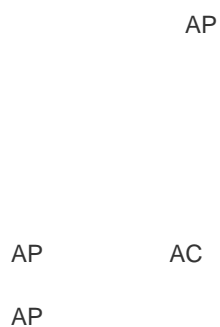
## 3.5

# 4

## 4.1



## 4.2



## 5

### 5.1

RG-AP630-L

#### CLI

RG-AP630-L

AC

---

RG-AP630-L  
RG-AP630-L

Telnet

RG-AP630-L

---

### 5.2

AP

AP

AP

AP

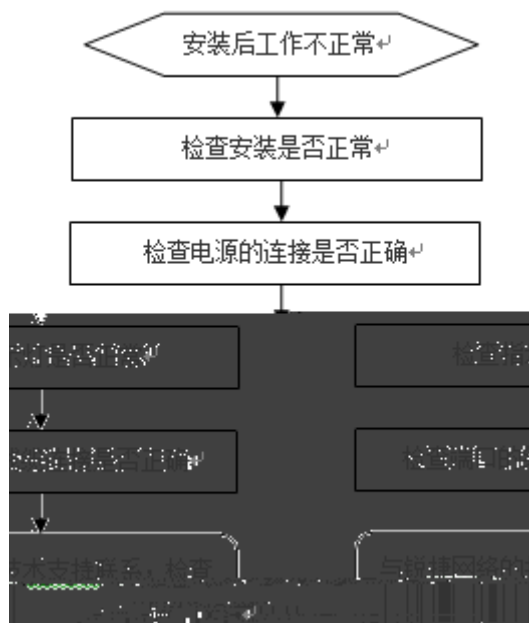
AP

AC

### 5.3

## 6

### 6.1



### 6.2

AP

**SYS**

SYS

**SYS**

CAPWAP , SYS AP AC  
AC

**A** —

**1000BASE-T/100BASE-TX/10BASE-T**

1000BASE-T/100BASE-TX/10BASE-T (X) (/BAS)-3.300 T1 0 Td(A) TjMC /Spa9 <</MCID 6 >>>BDC 7.0303 Tw 0<1C5F1E

**Switch**

**Switch AP0 Tc 0 Tw 460E34E1E1TTEMC BT**



RG-AP630-L

7

5

7

10

SFP+

5

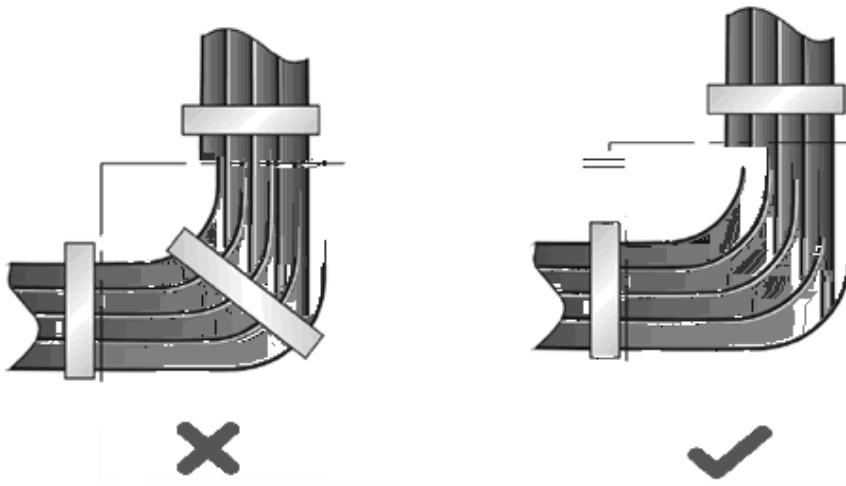
10

:Æ

D-2

D-3

D-3

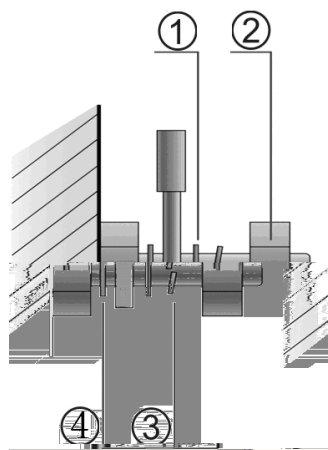


220V

-48V

D-4

D-4



( mm )	( mm )
10	80~150
10~30	150~200
30	200~300

**C** —

**RG-AP630-L**

1		1		
2		1		
3		1		
4	M5	4		
5	M6	2		
6	PG	1		
7		2		
8		1		
9		1		
10		1		